

# In-Line Regulator with Factory-Set Outlet Pressure

R13

**Description** In-Line pressure regulator with factory-set outlet pressure, reducing from e.g. 10 bar to 5 bar. The regulator R13 is suited for basic pressure control only with an outlet pressure tolerance of  $\pm 30\%$ . The outlet pressure stated below is valid for 12 bar inlet pressure. For other inlet pressure please refer to the according item from the diagram.

**Benefits**

- Higher safety through lower pressure. Tools and equipment protected against pressure damages.
- Cost reduction through substantially reduced air consumption. Longer service life.
- Noise reduction for tools.

**Media** compressed air or non-corrosive gases

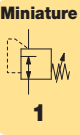
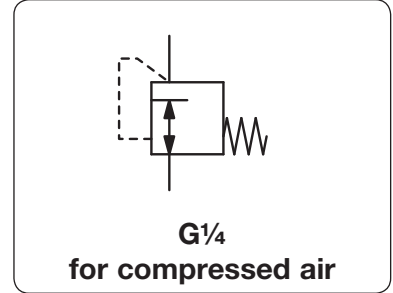
**Supply pressure** max. 15 bar

**Adjustment** Select the pressure regulator according to the desired outlet pressure. The outlet pressure cannot be subsequently adjusted. This safeguards against tampering.

**Relieving function** non-relieving, therefore not recommended for applications such as nailers

**Temperature range** 0 °C to 60 °C / 32 °F to 140 °F, for appropriately conditioned compressed air down to -30 °C / -22 °F

**Material**  
 Body: brass  
 Elastomer: NBR/Buna-N, optionally FKM



Dimensions			Flow rate	Supply pressure	Connection thread	Outlet pressure	Order number
ØA	B	SW	l/min*1	max. bar	G	bar	
mm	mm	mm					

Basic accuracy regulator						P: max. 15 bar, non-relieving, outlet pressure accuracy $\pm 30\%$ , made of brass	R13
17	34	17	300	15	G¼ ia	2	R13-02D
						3	R13-02E
						4	R13-02F
						5	R13-02G
						6	R13-02H
						7	R13-02I
						8	R13-02K
						10	R13-02M



R13

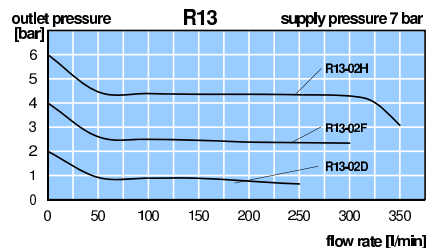
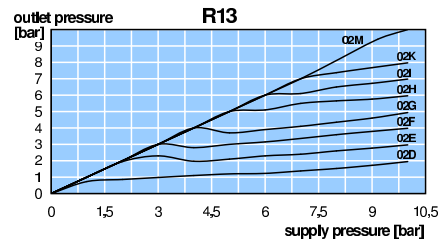
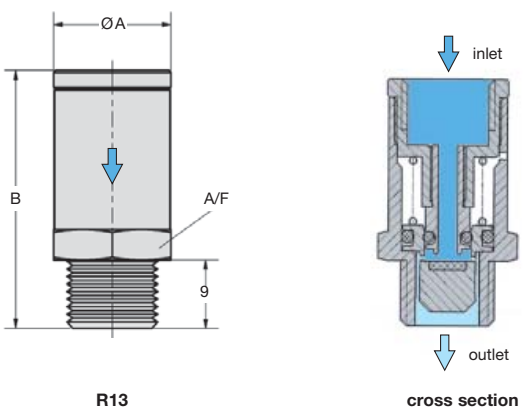
## Special options, add the appropriate letter

**FKM elastomer** R13-02 . V

**for oxygen** specially cleaned, with oxygen grease R13-02 . 15



R13



\*1 at 7 bar supply pressure, 6 bar outlet pressure and 2 bar pressure drop